

HCS100-S DATASHEET

100A Hall Effect Split Core DC Current Sensor

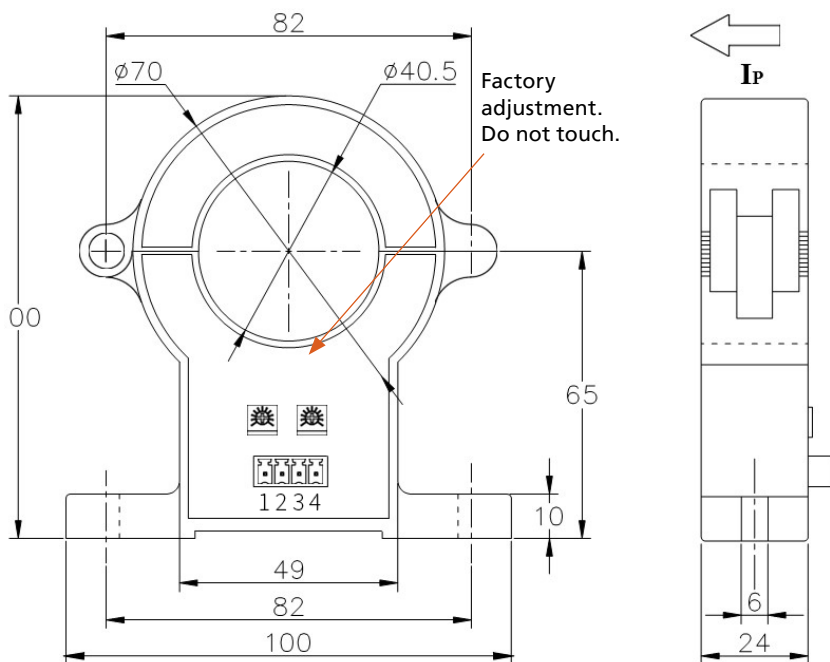
Based on the Hall Effect principle, this split-core sensor is designed for measuring DC currents and is designated for a range of SATEC devices featuring DC-metering.



ELECTRICAL CHARACTERISTICS

Primary nominal input current	0-100A
Measuring range of primary current	0-150A
Secondary nominal output current	20(±1%)
Power supply	±15 (±5%)
Insulation voltage	AC/50Hz/1min
Ambient operating temperature	-25 - +85
Ambient storage temperature	-40 - +100
Weight	300g

DIMENSIONS (MM)



- PINS
- 1 +15 Power Supply
 - 2 -15 Power Supply
 - 3 Output Current
 - 4 Ground

IMPORTANT

- ▶ Incorrect connection may lead to the damage of the sensor
- ▶ Output current is positive when the I_p flows in the direction of the arrow
- ▶ Temperature of the primary conductor / busbar running through the sensor must not exceed 100°C